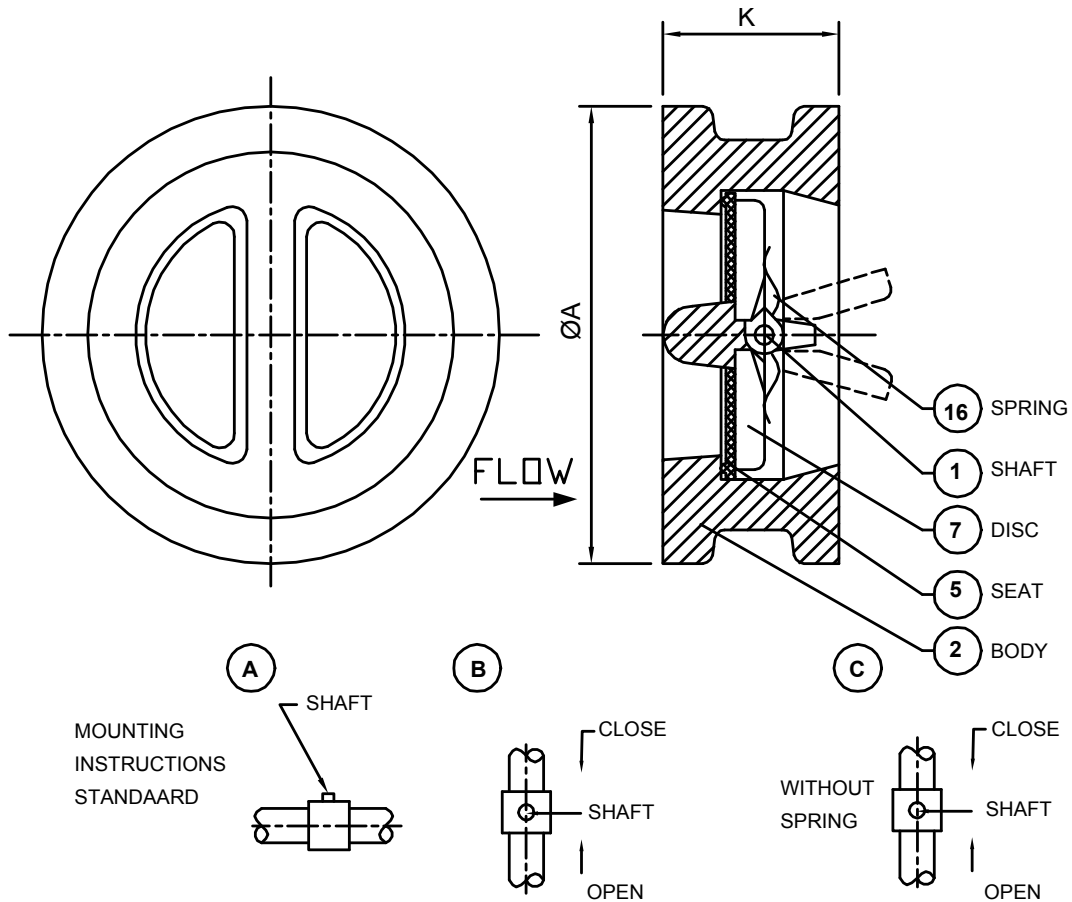


WVTB-DU-CV

DUO CHECK-VALVE-WAFER TYPE



SIZE mm	ØA PN-10	ØA PN-16	Ø A. CL.150	K	kg PN-10	kg PN-16
50	107	107	104	43	6	6
65	129	129	123	46	6,5	6,5
80	144	144	135	64	7,5	7,5
100	164	164	174	64	8,5	8,5
125	194	194	194	70	13	13
150	220	220	220	76	15	15
200	275	275	275	89	22	22
250	330	330	338	114	38	38
300	380	380	405	114	50	52
350	440	440	450	127	74	76
400	491	491	514	140	94	97
450	541	558	543	152	140	148
500	598	620	605	152	163	175

P.O.-PRESSURE-OPEN			
SIZE mm	P.O. IN mbar		
	A	B	C
50	15	30	15
65	15	30	15
80	15	30	15
100	15	30	15
125	15	35	20
150	15	35	20
200	15	35	20
250	15	35	20
300	15	45	30
350	15	45	30
400	15	45	30
450	15	55	40
500	15	55	40

MATERIALS

STANDARD		ON REQUESTED		
BODY	GGG-40	AISI-316L	AL.BRONZE	GS-C25
DISC	AL.BRONZE	AISI-316L	-	-
SEAT	NBR	EPDM	VITON	PTFE
SPRING	AISI-302	-	-	-

ON REQUEST ANSI-150
PRESSURE RATING PN25-40 / ON REQUEST RUBBER LINED