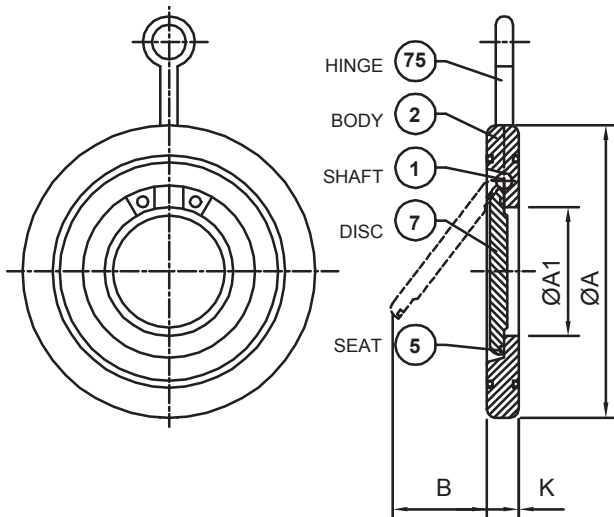


## WVTB-CV

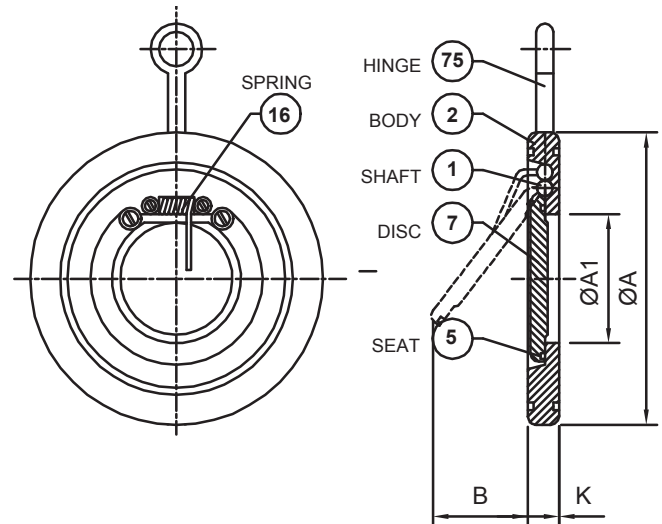
WAFER TYPE  
CHECK-VALVE-WITHOUT SPRING



**MATERIALS: A-STEEL GS-C25**  
**B-ST. STEEL AISI-316**  
**C-AL. BRONZE**

## WVTB-CV

WAFER TYPE  
CHECK-VALVE-WITH SPRING



### WVTB-CV

| SIZE mm | ØA<br>PN10 | ØA<br>PN16 | ØA1 | B     | K  |
|---------|------------|------------|-----|-------|----|
| 40      | 95         | 95         | 22  | 30    | 14 |
| 50      | 109        | 109        | 32  | 35    | 14 |
| 65      | 129        | 129        | 40  | 48    | 14 |
| 80      | 144        | 144        | 54  | 60    | 14 |
| 100     | 164        | 164        | 70  | 78    | 18 |
| 125     | 195        | 195        | 92  | 98    | 18 |
| 150     | 220        | 220        | 112 | 116,5 | 20 |
| 200     | 275        | 275        | 154 | 160   | 22 |
| 250     | 330        | 332        | 200 | 200   | 26 |
| 300     | 380        | 387        | 240 | 235   | 32 |
| 350     | 440        | 447        | 270 | 258   | 38 |
| 400     | 490        | 495        | 310 | 300   | 44 |
| 450     | 540        | 557        | 360 | 331   | 50 |
| 500     | 595        | 619        | 405 | 368   | 56 |
| 600     | 698        | 734        | 486 | 435   | 62 |

### WVTB-CV-SP

| SIZE mm | ØA<br>PN10 | ØA<br>PN16 | ØA1 | B     | K  |
|---------|------------|------------|-----|-------|----|
| 40      | 95         | 95         | 22  | 30    | 14 |
| 50      | 109        | 109        | 32  | 35    | 14 |
| 65      | 129        | 129        | 40  | 48    | 14 |
| 80      | 144        | 144        | 54  | 60    | 14 |
| 100     | 164        | 164        | 70  | 78    | 18 |
| 125     | 195        | 195        | 92  | 98    | 18 |
| 150     | 220        | 220        | 112 | 116,5 | 20 |
| 200     | 275        | 275        | 154 | 160   | 22 |
| 250     | 330        | 332        | 200 | 200   | 26 |
| 300     | 380        | 387        | 240 | 235   | 32 |

ON REQUEST:-PN25 / 40 / 64