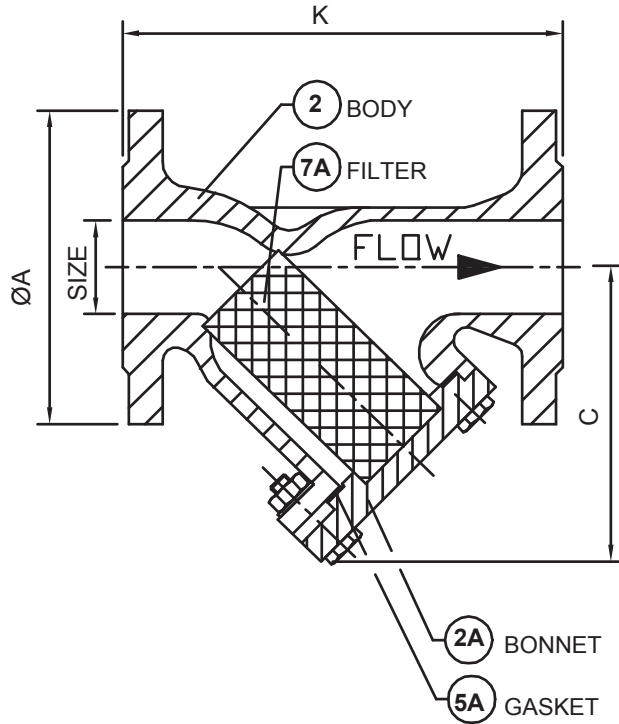


## WVFL-STR

STRAINER DOUBLE FLANGED-Y TYPE



**PN10/PN16 CAST IRON**  
**DOUBLE FLANGED TYPE**

PERFORATION: - SIZE 3/4" -0.5mm  
 - SIZE 1"-2.1/2"-0.75mm  
 - SIZE 3"-10" -1.2mm  
 - SCREEN-AISI-304

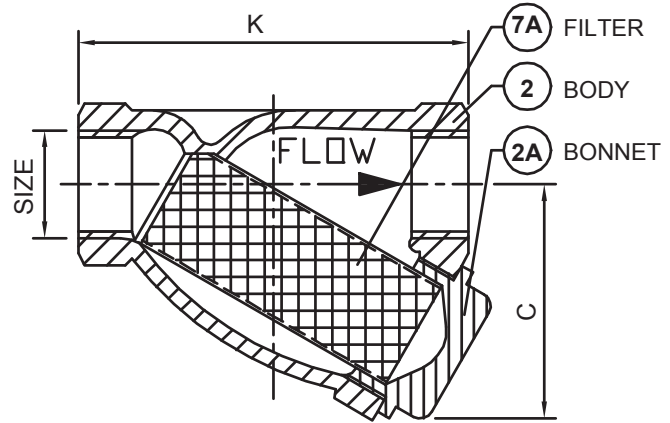
### WVFL-STR

| SIZE mm | SIZE Inch | ØA1 | C   | K   | Kg  |
|---------|-----------|-----|-----|-----|-----|
| 32      | 1.1/4"    | 140 | 100 | 180 | 5   |
| 40      | 1.1/2"    | 150 | 125 | 200 | 7   |
| 50      | 2"        | 165 | 135 | 230 | 9   |
| 65      | 2.1/2"    | 185 | 155 | 290 | 12  |
| 80      | 3"        | 200 | 175 | 310 | 17  |
| 100     | 4"        | 220 | 210 | 350 | 25  |
| 125     | 5"        | 250 | 275 | 400 | 39  |
| 150     | 6"        | 285 | 325 | 480 | 61  |
| 200     | 8"        | 340 | 380 | 600 | 120 |
| 250     | 10"       | 395 | 470 | 730 | 230 |

ON REQUEST: OTHER MATERIALS

## WV-STR-SE

STRAINER SCREWED ENDS-Y TYPE



**PN10/PN16 CAST IRON**  
**-SCREWED ENDS FF-BSP**  
 -PERFORATION 0.5mm  
 -SCREEN AISI-304

### WV-STR-SE

| SIZE mm | SIZE Inch | C   | K   | Kg |
|---------|-----------|-----|-----|----|
| 15      | 1/2"      | 50  | 85  | 1  |
| 20      | 3/4"      | 60  | 100 | 1  |
| 25      | 1"        | 73  | 120 | 2  |
| 32      | 1.1/4"    | 80  | 140 | 2  |
| 40      | 1.1/2"    | 95  | 160 | 3  |
| 50      | 2"        | 110 | 205 | 5  |