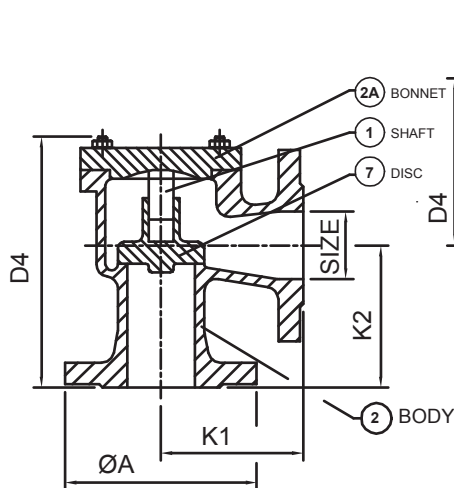


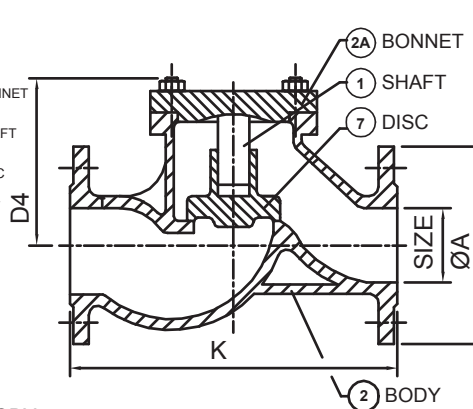
## WVFL-CV-AN

PISTON CHECK-VALVE  
DOUBLE FLANGED METAL  
SEAT-ANGLE TYPE



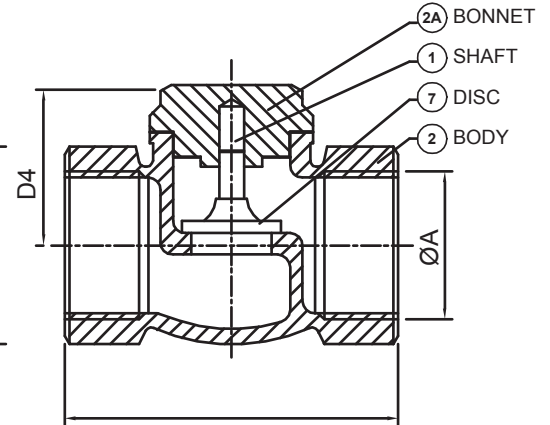
## WVFL-CV-ST

PISTON CHECK-VALVE  
DOUBLE FLANGED METAL  
SEAT-STRAIGHT TYPE



## WVFL-CV-SE

PISTON CHECK-VALVE  
DOUBLE FLANGED METAL  
SEAT-SCREWED ENDS TYPE



### WVFL-CV-AN

SIZE mm	SIZE inch	ØA	D4	K1	K2
20	3/4"	105	120	95	95
25	1"	115	130	100	100
32	1.1/4"	140	140	105	105
40	1.1/2"	150	165	115	115
50	2"	165	180	125	125
65	2.1/2"	185	210	145	145
80	3"	200	235	155	155
100	4"	220	255	175	175
125	5"	250	295	200	200
150	6"	285	335	225	225
175	7"	315	400	250	250
200	8"	340	400	275	275

### WVFL-CV-ST

SIZE mm	SIZE inch	ØA	D4	K
20	3/4"	105	70	150
25	1"	115	75	160
32	1.1/4"	140	80	180
40	1.1/2"	150	90	200
50	2"	165	100	230
65	2.1/2"	185	110	290
80	3"	200	130	310
100	4"	220	150	350
125	5"	250	170	400
150	6"	285	190	480
175	7"	315	210	550
200	8"	340	230	600

### WVFL-CV-SE

SIZE mm	ØA	D4	K
10	R3/8"	30	45
15	R1/2"	30	50
20	R3/4"	35	61
25	R1"	40	69
32	R1.1/4"	48	85
40	R1.1/2"	56	90
50	R2"	64	110

ON REQUEST: -DIN / ANSI / JIS  
-MATERIALS  
-SHORT FACE TO FACE  
-SIZE 250-300