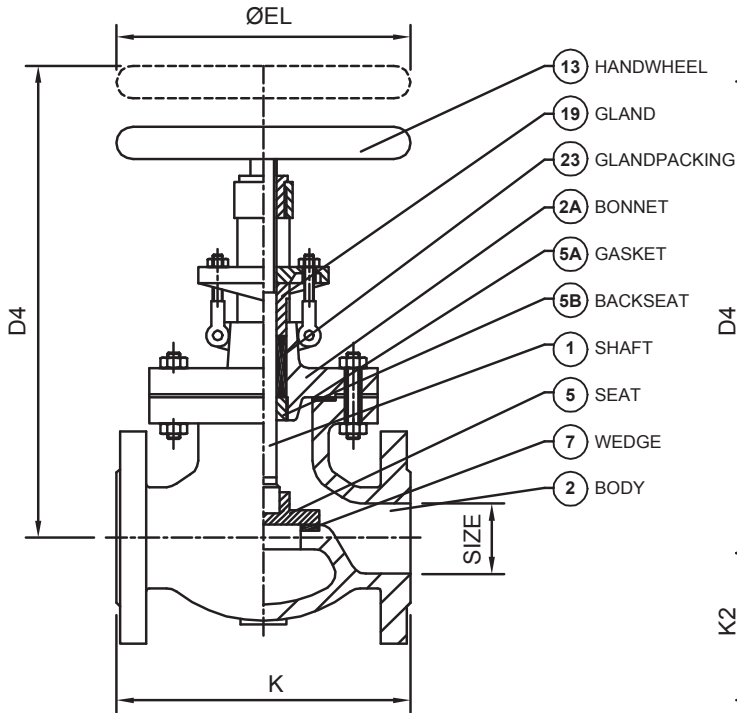


WV-GLOB-ST

GLOBE VALVE-STRAIGHT TYPE



STANDARD-CAST IRON
-SEAT BRONZE
-DIN PN10/PN16
-MAX. 180°C

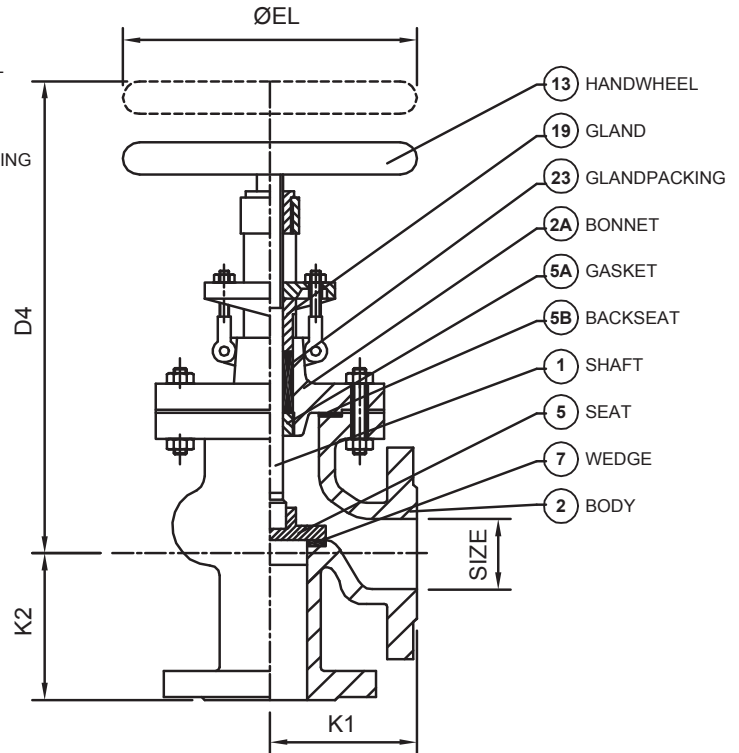
SIZE 15-175 16 bar
SIZE 200-300 10 bar

WVFL-GLOB-ST

SIZE mm	SIZE inch	D4	K	ØEL	kg
15	1/2"	180	130	65	3
20	3/4"	200	150	75	4
25	1"	210	160	85	5
32	1.1/4"	220	180	100	7
40	1.1/2"	250	200	110	9
50	2"	250	230	125	12
65	2.1/2"	315	290	145	20
80	3"	335	310	160	25
100	4"	375	350	180	40
125	5"	420	400	210	59
150	6"	460	480	240	82
175	7"	520	550	270	110
200	8"	550	600	295	135
250	10"	670	730	350	216
300	12"	750	850	400	324

WV-GLOB-AN

GLOBE VALVE-ANGLE TYPE



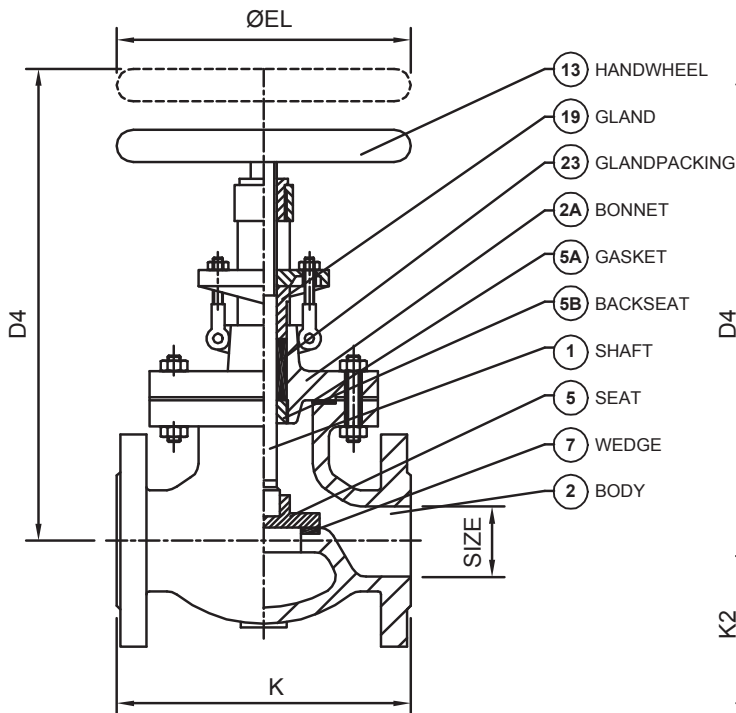
WVFL-GLOB-AN

SIZE mm	SIZE inch	D4	K1	K2	ØEL	kg
15	1/2"	160	90	90	65	4
20	3/4"	170	95	95	75	5
25	1"	170	100	100	85	6
32	1.1/4"	190	105	105	100	8
40	1.1/2"	210	115	115	110	10
50	2"	220	125	125	125	13
65	2.1/2"	260	145	145	145	21
80	3"	280	155	155	160	26
100	4"	300	175	175	180	41
125	5"	340	200	200	210	60
150	6"	360	225	225	240	83
175	7"	380	250	250	270	111
200	8"	440	275	275	295	136
250	10"	550	325	325	350	217
300	12"	620	375	375	400	325

ON REQUEST: -STEEL / GS-C25 / BRONZE
-SEAT ST.STEEL
-ANSI / JIS
-DIN PN25-40

WV-GLOB-SD-CV-ST

GLOBE SCREW DOWN STOP AND
CHECK VALVE-STRAIGHT TYPE



STANDARD-CAST IRON
-SEAT BRONZE
-DIN PN10/PN16
-MAX. 180°C

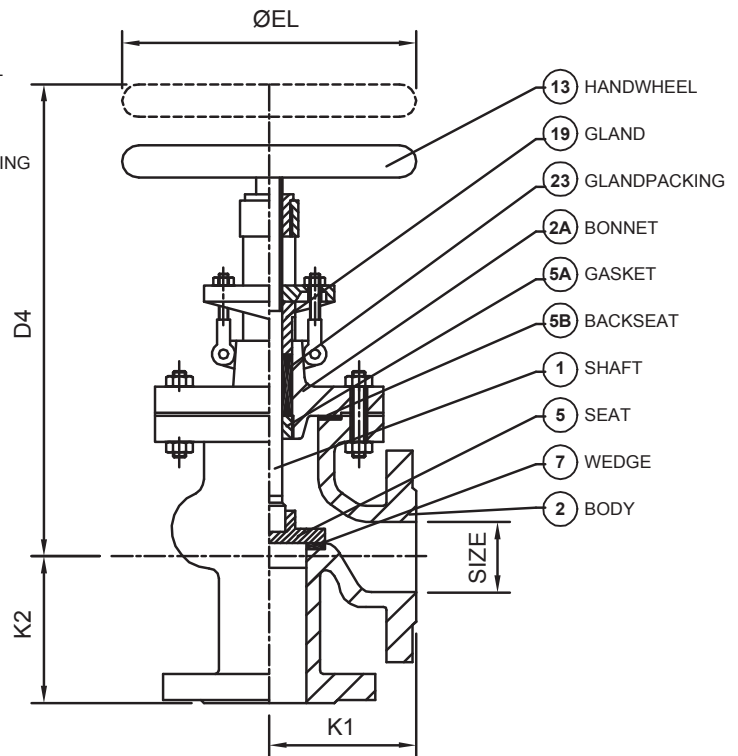
SIZE 15-175 16 bar
SIZE 200-300 10 bar

WVFL-GLOB-SD-CV-ST

SIZE mm	SIZE inch	D4	K	ØEL	kg
15	1/2"	180	130	65	3
20	3/4"	200	150	75	4
25	1"	210	160	85	5
32	1.1/4"	220	180	100	7
40	1.1/2"	250	200	110	9
50	2"	250	230	125	12
65	2.1/2"	315	290	145	20
80	3"	335	310	160	25
100	4"	375	350	180	40
125	5"	420	400	210	59
150	6"	460	480	240	82
175	7"	520	550	270	110
200	8"	550	600	295	135
250	10"	670	730	350	216
300	12"	750	850	400	324

WV-GLOB-SD-CV-AN

GLOBE SCREW DOWN STOP AND
CHECK VALVE-ANGLE TYPE



WVFL-GLOB-SD-CV-AN

SIZE mm	SIZE inch	D4	K1	K2	ØEL	kg
15	1/2"	160	90	90	65	4
20	3/4"	170	95	95	75	5
25	1"	170	100	100	85	6
32	1.1/4"	190	105	105	100	8
40	1.1/2"	210	115	115	110	10
50	2"	220	125	125	125	13
65	2.1/2"	260	145	145	145	21
80	3"	280	155	155	160	26
100	4"	300	175	175	180	41
125	5"	340	200	200	210	60
150	6"	360	225	225	240	83
175	7"	380	250	250	270	111
200	8"	440	275	275	295	136
250	10"	550	325	325	350	217
300	12"	620	375	375	400	325

ON REQUEST: -STEEL / GS-C25 / BRONZE

-SEAT ST.STEEL

-ANSI / JIS

-DIN PN25-40