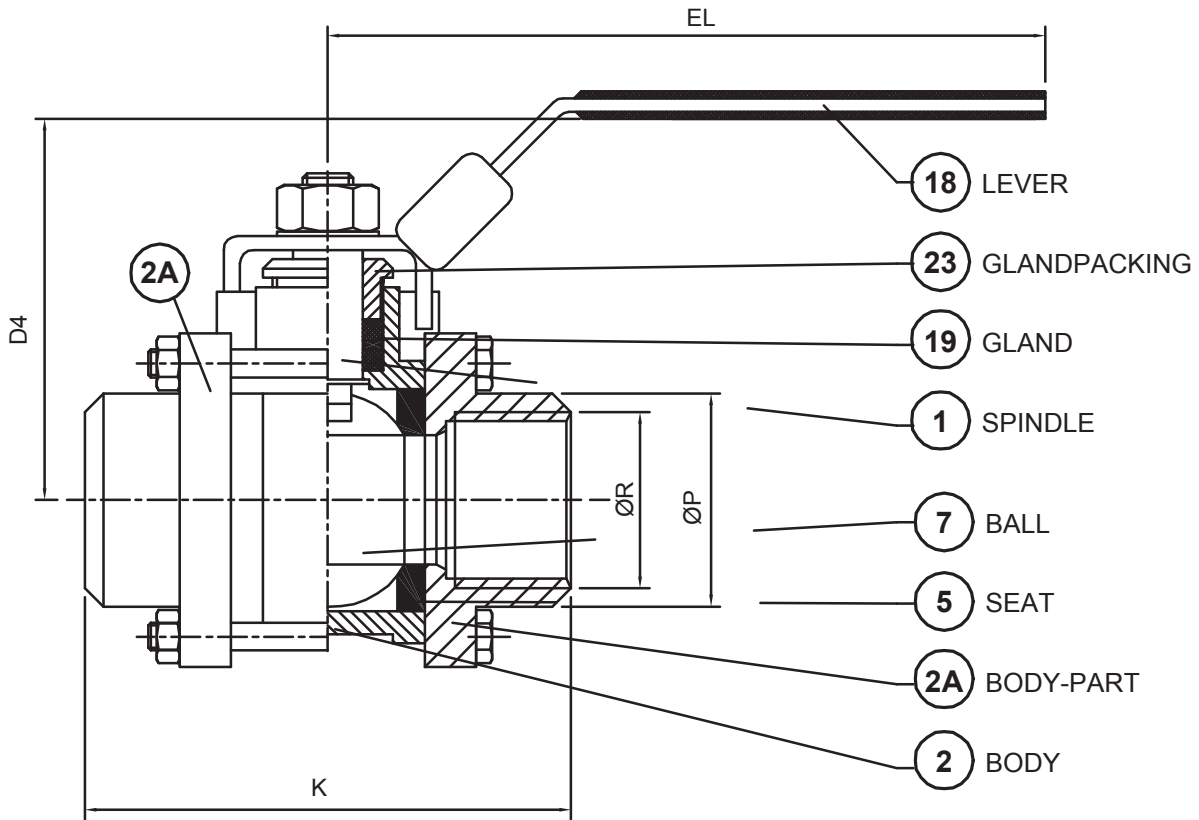


WV-BALL-SE

BALL-VALVE-SCREWED ENDS 3 PCS-FULL BORE



TREAD-DIN-2999/BSP OR NPT
BODY - AISI-316
SEAT - PTFE
BALL - AISI-316
LEVER-AISI-304

WATER - MAX. 70BAR
 STEAM - MAX. 10BAR
 TEMP. -50°C +230°C

| SIZE mm | SIZE inch | D4 | K | ØR | ØP | EL |
|---------|-----------|-----|-----|-------|-------|-----|
| 8 | 1/4" | 55 | 57 | 14,1 | 19 | 100 |
| 10 | 3/8" | 55 | 57 | 17,6 | 22,5 | 100 |
| 15 | 1/2" | 64 | 66 | 21,7 | 27 | 130 |
| 20 | 3/4" | 67 | 76 | 27,1 | 33 | 130 |
| 25 | 1" | 83 | 86 | 33,8 | 40 | 165 |
| 32 | 1.1/4" | 89 | 102 | 42,6 | 48,8 | 165 |
| 40 | 1.1/2" | 100 | 119 | 48,7 | 55 | 190 |
| 50 | 2" | 108 | 131 | 61,1 | 67,2 | 190 |
| 65 | 2.1/2" | 150 | 164 | 76,9 | 86,4 | 250 |
| 80 | 3" | 161 | 182 | 89,5 | 103 | 250 |
| 100 | 4" | 180 | 236 | 115,4 | 130,7 | 280 |

ON REQUEST: -BW OR SW
 -3WAY T BORE