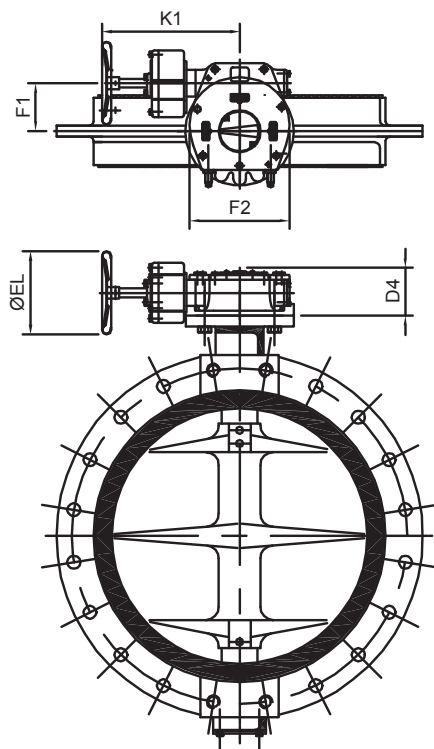


GEARBOX	D4	ØEL	F1	F2	K1
JWK-10	64	125	44	84	118
JWK-20	75	160	53	112	153
JWK-60	92	315	69	135	213
JWK-150	100	315	97	180	226
JWK-240	128	600	138	282	300

GEARBOX	INPUT Nm	OUTPUT Nm	RATIO	TURNS 0-90°	Kg
JWK-10	17	200	40:1	10	3
JWK-20	32	400	44:1	11	5
JWK-60	60	800	40:1	10	9
JWK-150	131	2000	48:1	12	20
JWK-240	185	4000	72:1	18	35



GEARBOX	D4	ØEL	F1	F2	K1
JWK-750-2	128	400	138	282	347
JWK-750-4	136	400	180	366	378
JWK-750-6	136	600	180	366	403
JWK-750-10	186	600	253	510	442
JWK-750-20	186	600	253	510	442
JWK-750-30	185	600	178	520	566
JWK-750-40	194	600	178	596	631
JWK-750-50	210	600	342	735	692

GEARBOX	INPUT Nm	OUTPUT Nm	RATIO	TURNS 0-90°	Kg
JWK-750-2	95	6500	267:1	67	42
JWK-750-4	125	12000	267:1	67	62
JWK-750-6	120	16000	648:1	162	76
JWK-750-10	140	24000	720:1	180	202
JWK-750-20	140	32000	720:1	180	208
JWK-750-30	105	48100	720:1	180	180
JWK-750-40	137	68000	720:1	180	220
JWK-750-50	228	84600	1440:1	360	410