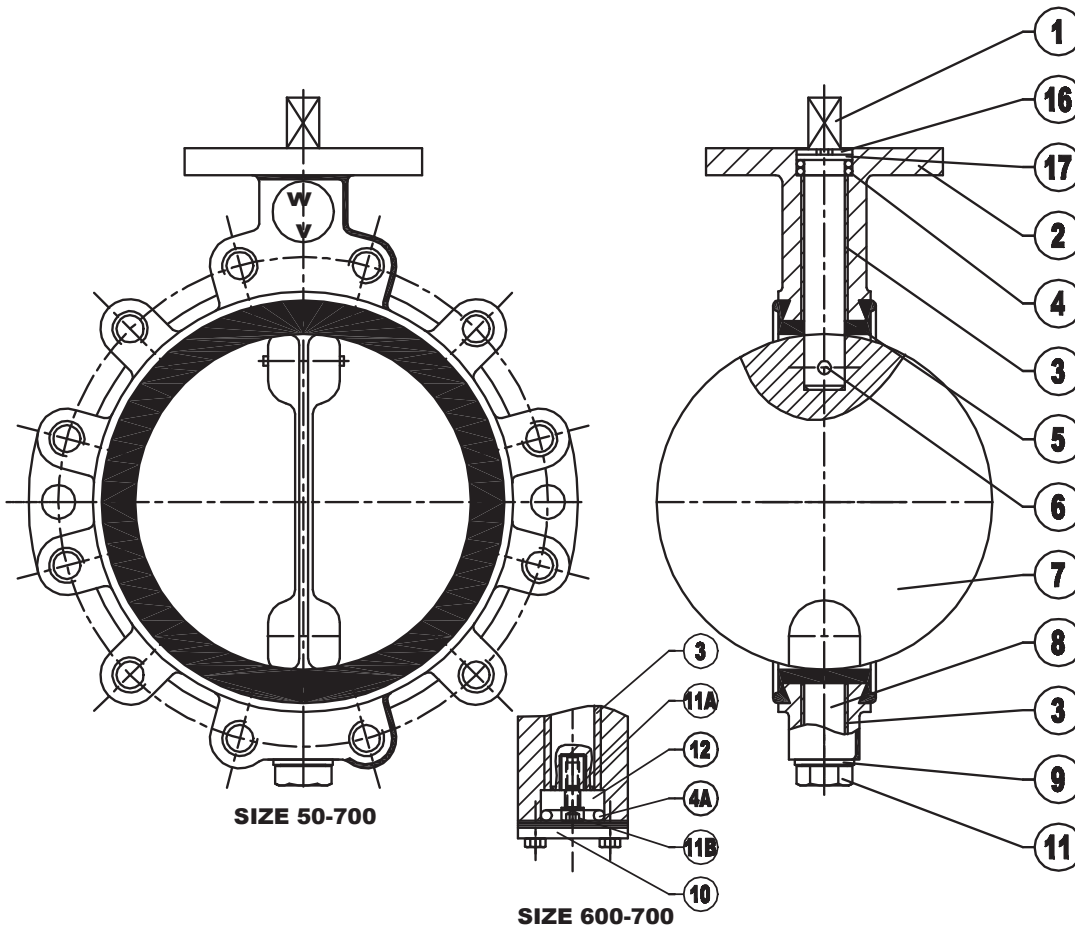


WVTB-ISO-LT

WAFER LUG TYPE



1	AS	SHAFT	SPINDEL	HUSILLO
2	AFSLUITERHUIS	BODY	GEHÄUSE	CAJA
3	LAGERBUS	BEARING	LAGERBUCHSE	COJINETTE
4	O-RING	O-RING	O-RING	ANILLO-O
4A	O-RING	O-RING	O-RING	ANILLO-O
5	AFDICHTING	SEAT	DICHTUNG	MANQUITO
6	PEN	PIN	STIFT	CLAVIJA
7	KLEP	DISC	KLAPPENSCHIEBE	VALVULA
8	AS	SHAFT	SPINDEL	HUSILLO
9	PAKKING	PACKING	PACKUNG	EMPAQUETADURA
10	ACHTERPLAAT	COVER PLATE	LAGERDECKEL	TAPA
11	BOUT	BOLT	SCHRAUBE	PERNO
11A	BOUT	BOLT	SCHRAUBE	PERNO
11B	BOUT	BOLT	SCHRAUBE	PERNO
12	DRUKLAGER	THRUST BEARING	DRUCKLAGER	COJINETTE
16	BORGRING	LOCK WASHER	SICHERUNGSRING	ANILLO DE SOJECION
17	RING	RING	RING	ILAVE

FLANGE CONNECTION
DIN-PN 6/10/16
ANSI-CLASS 125/150
JIS-5/10K
JIS-16K
WHEN REQUESTED

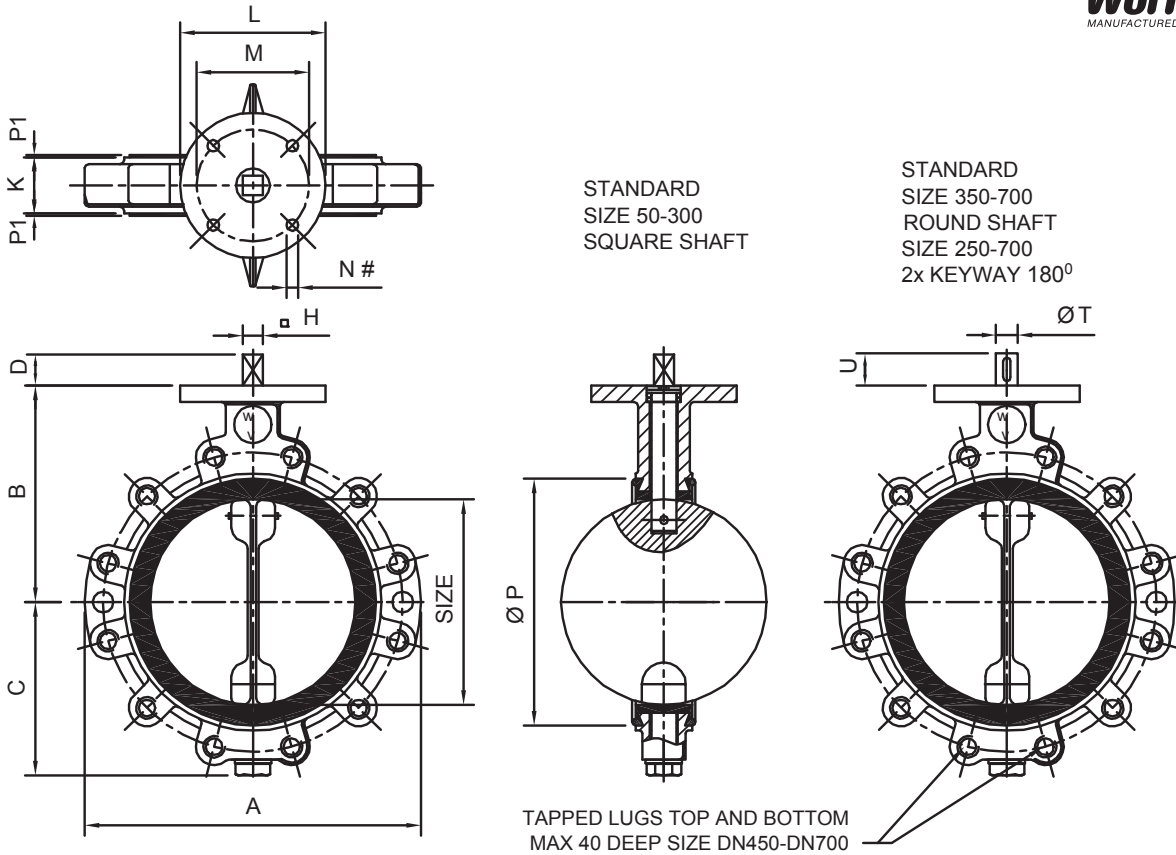
FIGURE: MATERIAL COMBINATION	ONLY SIZE 250-700			
TYPE	B	C	D	X
BODY	STANDARD DUCTILE IRON GGG-40			
DISC	AL.BRONZE	AISI-316	AL.BRONZE	GGG-40
SHAFT	AISI-316	AISI-316	AL.BRONZE	AISI-304
PINS	STANDARD DUPLEX			
LINER	STANDARD BUNA-N OR EPDM			

WHEN REQUESTED					
BODY	B-AL.BRONZE	A-AISI-304 C-AISI-316	S-RST- 37/2 G-GSC-25	K-SILUMIN	
DISC	J-DUPLEX	H-HASTELLOY			
SHAFT AND PINS	M-MONEL K-500	H-HASTELLOY	J-DUPLEX		
LINER	V-VITON	H-HYPALON	S-SILICONE	N-NITRIL FOOD	U-VULKOLAN
TOPFLANGE ACC. ISO-5211					

FACE TO FACE DIMENSIONS ACCORDING INTERNATIONAL STANDARDS

WVTB-ISO-LT

WAFER LUG TYPE



DIMENSIONS

SIZE mm	SIZE inch	A	B	C	D	H	K	L	M	N (#)	P	P1	T	U	Kg
50	2	165	128	70	37	12	43	90	66	9 (4)	85	1.5	16	40	5
65	2.5	185	136	80	37	12	46	90	66	9 (4)	100	1.5	16	40	5
80	3	200	144	88	37	12	46	90	66	9 (4)	115	1.5	16	40	7
100	4	230	154	98	37	12	52	90	66	9 (4)	135	1.5	16	40	8
125	5	255	184	114	37	16	56	130	80	11 (4)	165	2	20	40	9
150	6	285	194	124	37	16	56	130	80	11 (4)	190	2	20	40	12
200	8	340	229	180	37	16	60	130	80	11 (4)	240	2	22	40	25
250	10	405	261	190	37	24	68	175	135	14 (4)	295	3	30	50	38
300	12	480	286	220	37	24	78	175	135	14 (4)	345	3	30	50	45
350	14	530	322	260	-	-	78	175	135	14 (4)	400	3	35	50	55
400	16	595	352	280	-	-	102	175	135	14 (4)	440	3	40	60	65
450	18	640	380	325	-	-	114	175	135	14 (4)	490	3	45	60	128
500	20	715	420	340	-	-	127	175	135	14 (4)	550	3	45	60	145
600	24	840	468	425	-	-	154	210	165	22 (4)	650	3	60	70	175
700	28	900	533	464	-	-	165	300	254	18 (8)	760	3	70	85	225

M = TOPFLANGE SIZE DN-600-700 ACC. ISO-5211
STANDARD TAPPED HOLES

K = FACE TO FACE ACC. DIN-3202 K1 (ISO SERIES 20) (BS-SHORT) (API-609)
(#) = NUMBER OF HOLES

PRESSURE TABLE

STANDARD DELIVERY			WHEN REQUESTED			
STANDARD WORKING/TESTPRESSURE			MAXIMUM WORKING/TESTPRESSURE			
SIZE mm	WP ΔP-BAR	TP ΔP-BAR	SIZE mm	WP ΔP-BAR	TP ΔP-BAR	ONE PIECE SHAFT
50-150	10	11	50-150	16	18	-
200-700	6	7	200-300	10	11	-
			350-700	10	11	YES
			200-500	16	18	YES

BODY TEST 1.5 X PN

FACE TO FACE DIMENSIONS ACCORDING INTERNATIONAL STANDARDS